

DONJOY looking forward to your visit! Your telecommunications!



东正科技有限公司
DONJOY TECHNOLOGY CO.,LTD.

地址: 温州空港新区港富路25号
总机: 0577-86990888
传真: 0577-86998000

Add: No.25 Gang fu Road, konggang
new District, Longwan Wenzhou, China
Tel: +86-577-86990888
Fax: +86-577-86998000
E-mail: donjoy@cndonjoy.com

www.cndonjoy.com

法律声明:
目录样册版权归东正所有, 如有抄袭, 必将追究其法律责任和经济赔偿。
东正已获得国家版权局书刊号。东正诸多产品技术, 都具有专利保护, 如有抄袭,
必将追究法律责任和经济赔偿。

Legal statement:
Copyright of the catalogue belongs to Donjoy. If there is plagiarism,
it will be investigated for legal responsibility and economic compensation.
Donjoy has been granted publications number by China's National Copyright.
Donjoy products and technology with patent protection,
If there is plagiarism, it will be investigated for legal responsibility
and economic compensation.

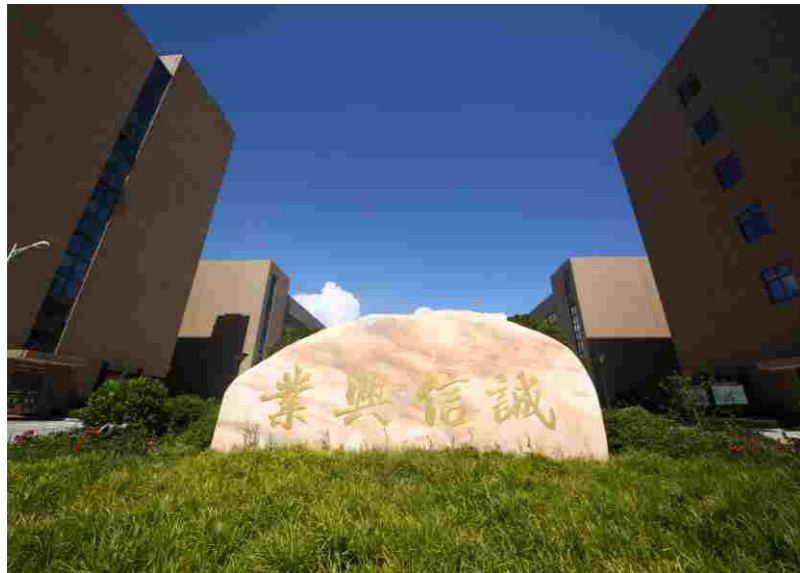
Chenck valve

08 / 止回阀 智能制造



国家高新技术企业 专精特新企业

Advantages



30 YEARS

30年的阀门研发与制造
More than 30 years valve and pump R&d and Manufacturing

23 YEARS

23年的高洁净泵研发与制造
More than 23 years high purity pump R&d and Manufacturing

18 YEARS

18年的阀门控制器研发与制造
More than 18 years valve controller R&d and Manufacturing

15 YEARS

15年的清洗技术研发与制造
More than 15 years Cleaning technology R&d and Manufacturing

300

300多人的专业团队
A profession team of over 300 people

200

200多项知识产权
More than 200 intellectual property rights

30

30多项国际权威认证
More than 30 international authoritative certifications

20

20多项国家与省级荣誉
More than 20 national and provincial honors certificates

超过10年研发经验
工程师队伍
We have more than 10 years experienced engineer team in R & D.

日本Mazak
CNC复合型加工中心
CNC切削中心
CNC车床
Japan Mazak
CNC compound machining center
CNC cutting center
CNC lathe

发那科《Fanuc》
全自动机器人生产线
《Fanuc》 Automatic robot
production line

高新技术企业、
省著名商标、
主任质量奖、4项发明、
200余项专利
New high-tech enterprise.
Provincial famous trademark.
Director's Quality Award.4 inventions
More than 200 patents

欧盟CE
美国3-A, FDA
中国特种制造许可证 TS
防爆认证ATEX CNEX
European Union CE certificate
USA 3-A, FDA
China Special Manufacturing
License TS
ATEX CNEX

我们能为你提供
定制化技术服务和制造,
OEM ODM
We can provide
you OEM & ODM service

领先的检测手段,
30多台专业检测设备和
50多种检测方法, 确保
每个产品性能和精度
Advanced detection method.
More than 30 pcs professional
testing equipment. More than
50 inspection ways, insure product
performance and accuracy

30 YEARS

30年洁净领域的专注
30 years of focus in the field of cleanliness

30 YEARS

30年工程应用经验与市场考验
30 years of engineering application experience and market test

三十而立正蕴含着新的力量，
未来我们将一如既往的致力于技术革新！
We Donjoy have established for 30 years, still full of
new energy, in the future we will stick to concentrate on
technology innovation

Introduction

东正创立于1993年，占地面积29000m²，注册资本1.0558亿元，员工300余人，技术团队30余人，200余项知识产权，国际权威认证30余项，国家与省级荣誉证书20余项，且拥有国际领先的加工技术和制造设备，如Mazak CNC四轴、五轴加工中心、复合型切削中心、FANUC机器人生产线以及各种国际领先的检测设备。

东正制造的产品远销全球并获得国内外用户高度好评，我们产品和技术涵盖高洁净泵、阀门控制技术、PID自控阀门、高洁净阀门、容器管道安全控制技术、容器清洗技术、容器管道照明技术、过滤技术以及高洁净管道和配件等。广泛应用于生物制药、食品饮料、酿酒、精细化工、日化洗涤、纺织印染、电池和新能源等工业领域。

Donjoy is founded in 1993, covers an area of 29,000 square meters, registered capital of 105.58 million yuan, we have more than 300 employees, we have more than 30 persons technical team, we have more than 200 intellectual property rights, we have more than 30 authoritative international certification, we have more than 20 national and provincial certifications, and has an international leader of first processing technology and manufacturing equipment, such as Mazak CNC four axis, five axis machining center, compound cutting center, FANUC robot production line and various international collar first detection equipment, etc.

The products manufactured by Donjoy are sold all over the world and are highly praised by domestic and overseas Products and technology cover high purity pump, valve control technology, PID automatic control valve, high purity valve, container pipeline safety control technology, container cleaning technology, container pipe road lighting technology, filtration technology and high purity pipes and accessories. Widely used in the biopharmaceuticals, food and beverage, wine, fine chemicals, daily chemical washing, textile printing and dyeing, battery and new energy and other industrial fields.



Certification

东正——拥有诸多的产品认证和各种资质其包含国家高新技术、专精特新、省著名商标、知名商号、科技型、创新型、专利示范、研发中心、AAA重合同守信用等各种国家省市级权威荣誉证书。

产品认证:

- 美国卫生认证: 3-A: 涵盖了90%的产品, 其包含各种形式阀门、泵系列等。FDA: 177.2600, 177.1550, 其包含各种橡胶和PTFE及各种密封制品等。
- 欧盟安全认证: CE: 其涵盖了100%各种阀门和泵系列: PED/2014/68/EC, MD06/42/EC。ATEX: 6大系列其包含阀门定位器、阀门控制单元、阀门位置反馈器等。
- 特种制造许可证: 国家安全阀特种制造许可证: TSF33008-2019
- 卫生许可批件: 浙卫水字(2012)第0056号
- 防爆认证: Ex db IIC T6 Gb, Ex tb IIIC T80°C Db



Donjoy has many product certification qualifications, including national high-tech, Specialized and very new, provincial famous trademark, well-known trade name, technology-based, innovative, patent demonstration, R&D center, AAA contract and trustworthy and other national, provincial and municipal authoritative honorary certificates.

- Product certification:
- U.S. Sanitary Certification
 - 3-A: Covers 90% of products, including all kinds of valves, pump, etc.
 - FDA: 177.2600, 177.1550, containing various rubber, PTFE and other sealing products.
 - EU safety certification
 - CE: covers all kinds of valves and pumps: PED/2014/68/EC, MD06/42/EC.
 - ATEX: 6 major series, including valve positioner, valve control unit, valve position feedback device, etc.
 - Special manufacturing license: National safety valve special manufacturing license: TSF33008-2019
 - Sanitation license approval document: Zhewei Shuizi (2012) No. 0056
 - Flameproof certification: Ex db IIC T6 Gb, Ex tb IIIC T80°C Db

止回阀 Check valve

ZHF type

止回阀具有与通径相等的通量，极小流阻、启闭无噪音、无死角、零压力无泄漏、可适用于真空环境、设计款型多样。

The check valve has the same flux as the passage, minimal flow resistance, no noise on opening and closing, no dead angle, zero pressure and no leakage, suitable for vacuum environments, and various designs.



产品应用

- 止回阀是一种阻止流体回流的阀门，保证流体流向唯一性。
- 它可用于保护液体回吸的损失，防止管道液击。
- 它应用到食品加工、饮料、酿酒、炼油、化妆品、制药和化学制品工业中。

技术特点

- 规格：1/2"–12", DN10–DN300
- 材质：316L/1.4404, ASME BPE 316L 1.4435 NB2 Fe≤0.5%
- 压力：真空~10bar(1.0 Mpa)
- 温度：-20℃ 到 +150℃, 取决密封于材质
- 密封：EPDM FKM HNBR PTFE
- 连接标准：DIN SMS ISO IDF RJT BS4825 ASME BPE 3A DIN11864 DIN11853
- 连接方式：螺纹、卡箍、焊接、法兰
- 驱动方式：手动、气动、电动
- 光洁度：Ra≤0.6 μm; MP=Ra≤0.3 μm; EP=Ra≤0.3 μm
- 认证：FDA 177.2600; Glass II USP Glass VI Chapter 88; GB4806.11; EG VO/1935–2004; PED/97/23/EC.

Applications

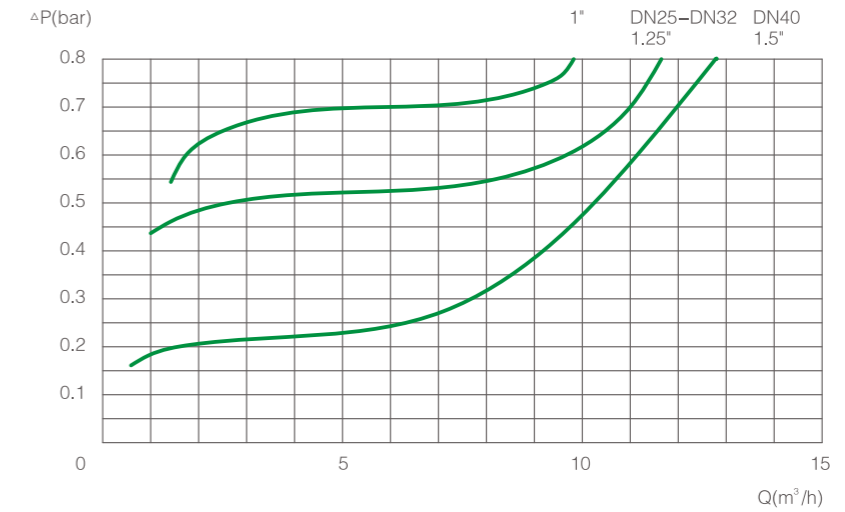
- Check valve is a valve that prevents the fluid from flowing back and ensures to flow in only one direction.
- It can be used to prevent the flow less from returning avoid pipe – hammering.
- It is used in the food – processing, beverages, wine, oil, cosmetics, pharmaceutical and chemical industries.

Technical Features

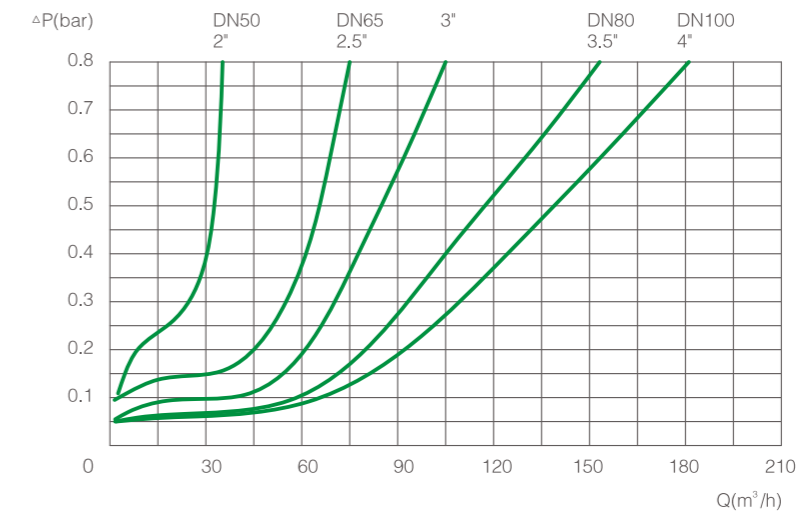
- Specifications: 1/2"–6", DN10–DN150
- Material: 316L/1.4404, ASME BPE 316L 1.4435 NB2 Fe≤0.5%
- Pressure: vacuum to 10bar (1.0 Mpa)
- Temperature: -20℃ to +150℃, Depending on the seal material
- Sealing: EPDM FKM HNBR PTFE
- Connection standard: DIN SMS ISO IDF RJT BS4825 ASME BPE 3A DIN11864 DIN11853
- Connection method: Thread, clamp, welding, flange
- Drive mode: manual, pneumatic, electric
- Finish: Ra≤0.6 μm; MP=Ra≤0.3 μm; EP=Ra≤0.3 μm
- Certification: FDA 177.2600; Glass II USP Glass VI Chapter 88; GB4806.11; EG VO/1935–2004; PED/97/23/EC.

止回阀流量曲线图 Flow Chart Of Check Valve

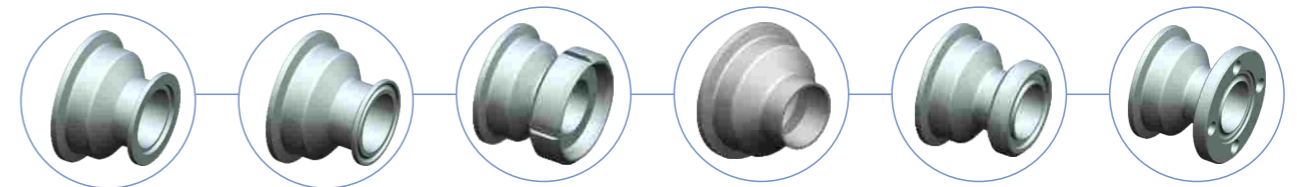
止回阀曲线图(1"-DN40) Check valve curve



止回阀曲线图(2"-DN100) Check valve curve



非常灵活的阀体组合和连接方式 Very Flexible Valve Body Combination And Connection Method



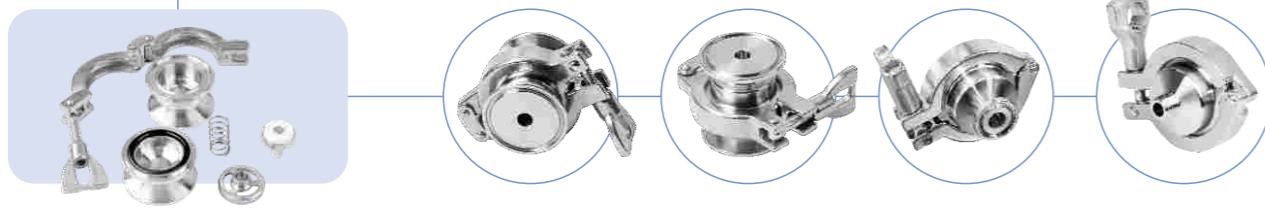
注意：接口适用于所有系列止回阀 Note: The interface is suitable for all series of check valves

止回阀 Check valve

迷你型止回阀 Mini check valve

ZHF-Mini type

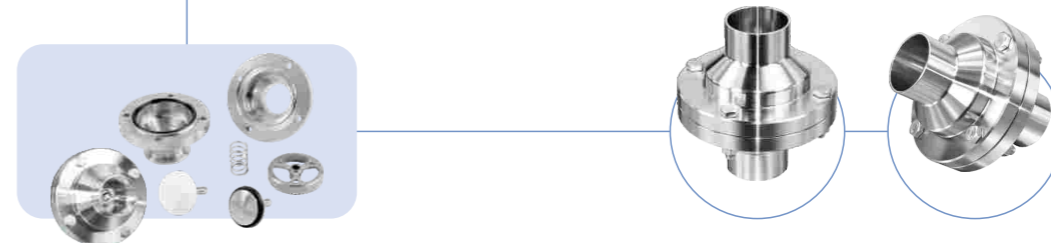
SIZE: DN4-DN20, 1/4"-3/4"
密封: PTFE



中间法兰式止回阀 Intermediate flange check valve

ZHF-ZF type

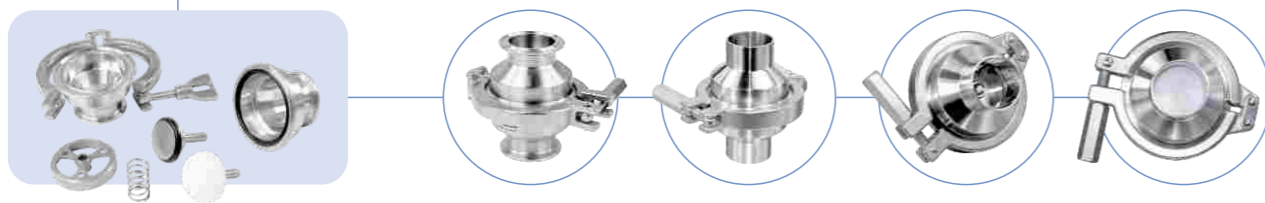
SIZE: DN25-DN100, 1"-4"
密封: EPDM FKM Silicon HNBR PTFE



中间卡箍式止回阀 Intermediate clamp check valve

ZHF-ZK type

SIZE: DN25-DN100, 1"-4"
密封: EPDM FKM Silicon HNBR PTFE



中间卡箍式止回阀-09款 Intermediate clamp check valve -09

ZHF-ZK09 type

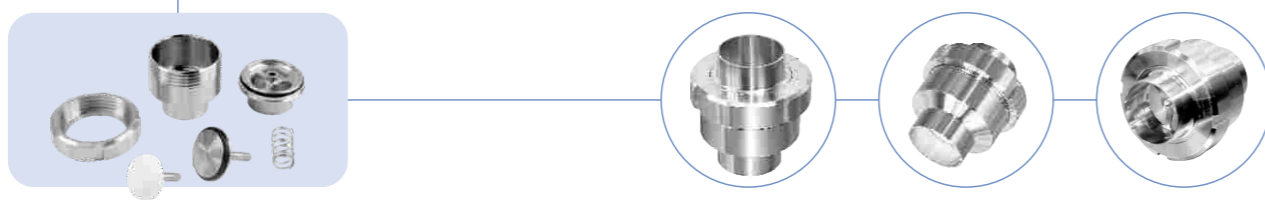
SIZE: DN25-DN100, 1"-4"



中间螺母止回阀 Intermediate nut check valve

ZHF-ZL type

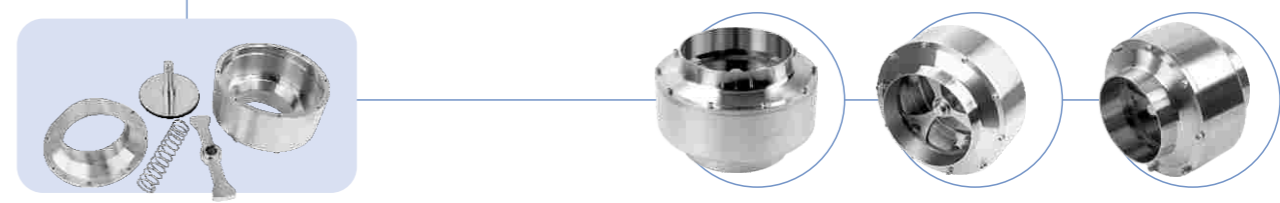
SIZE: DN25-DN100, 1"-4"
密封: EPDM FKM Silicon HNBR PTFE



三片式止回阀 Three-piece check valve

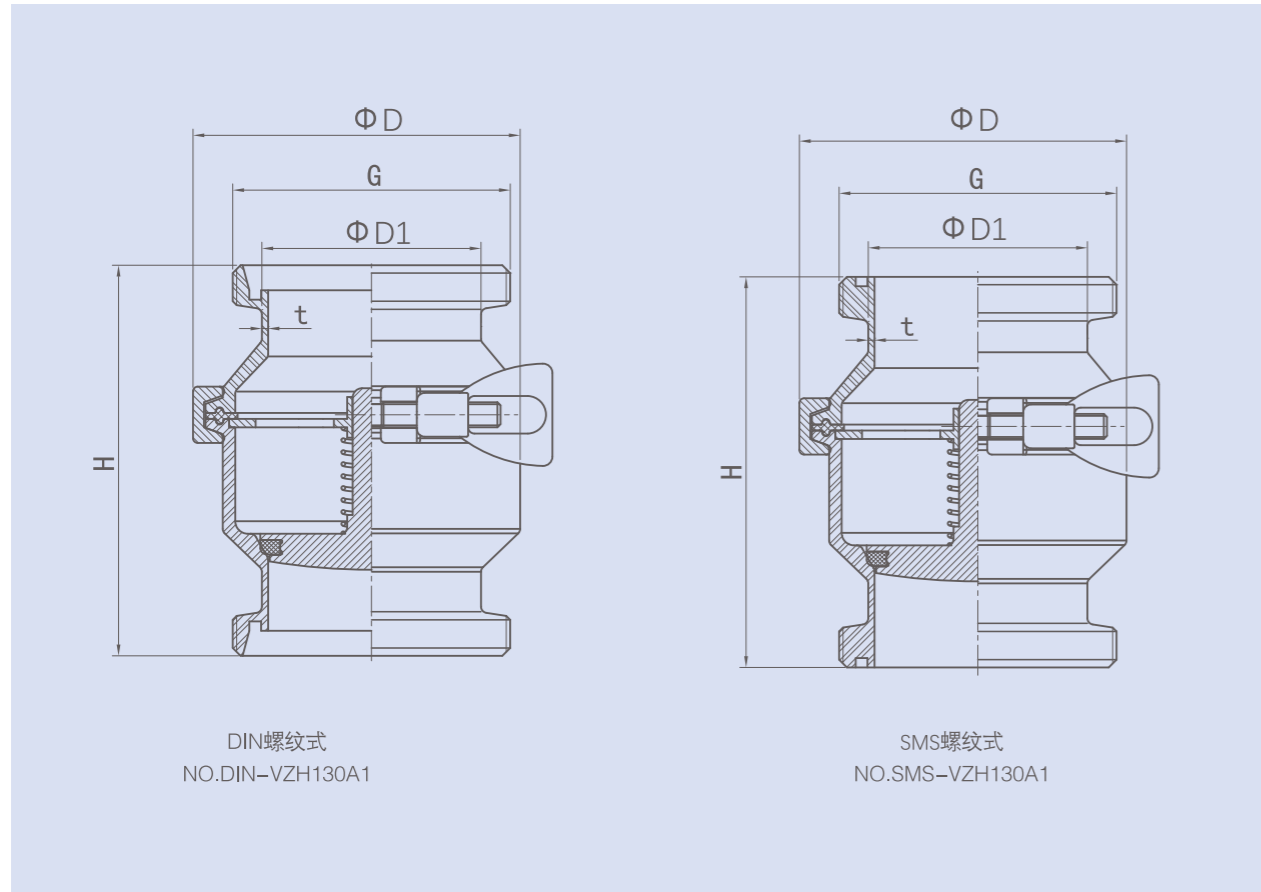
ZHF-SP type

SIZE: DN125-DN300, 5"-12"



止回阀 Check valve

2009款中头卡箍式止回阀 (ZH-ZK09系列) -数据图

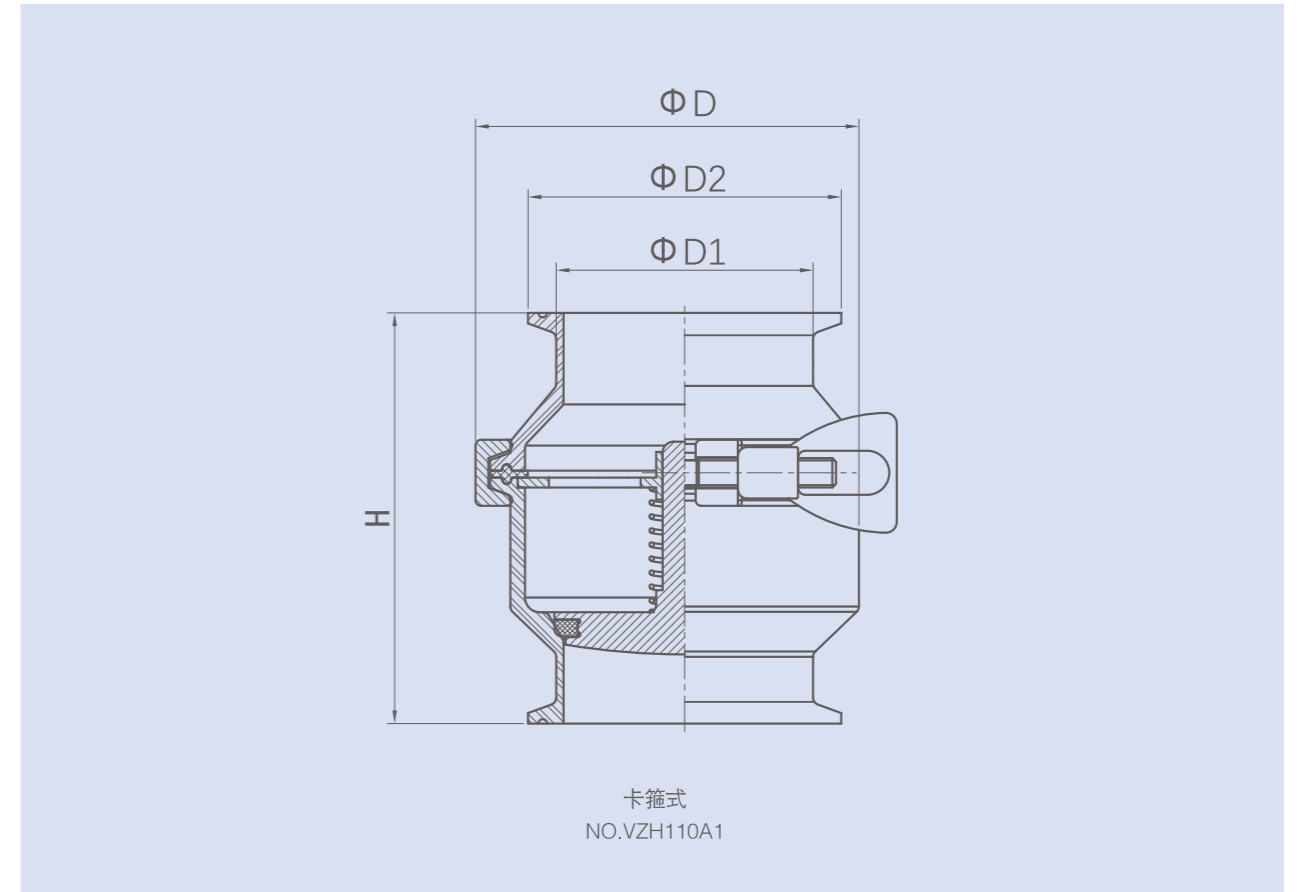


DIN						
规格	H	D1		D	t	G
		1	2			
DN15	103	18	19	72	1.5	Rd33.5x1/8
DN20	107	22	33	72	1.5	Rd43.5x1/6
DN25	109	28	29	72	1.5	Rd51.5x1/6
DN32	111	34	35	87	1.5	Rd57.5x1/6
DN40	111	40	41	87	1.5	Rd64.5x1/6
DN50	129	52	53	100	1.5	Rd77.5x1/6
DN65	139	70	/	115	2.0	Rd94.5x1/6
DN80	151	85	/	128	2.0	Rd109.3x1/4
DN100	176	104	/	164	2.0	Rd129.3x1/4

SMS					
规格	H	D	D1	t	G
3/4"	107	72	19	1.5	Rd35.5x1/6
1"	107	72	25.4	1.5	Rd39.5x1/6
1 1/4"	107	87	31.8	1.5	Rd47.5x1/6
1 1/2"	111	87	38.1	1.5	Rd59.5x1/6
2"	127	100	50.8	1.5	Rd69.5x1/6
2 1/2"	141	115	63.5	2.0	Rd84.5x1/6
3"	151	128	76.2	2.0	Rd97.3x1/6
3 1/2"	153	128	89	2.0	Rd104.3x1/6
Φ102小	173	164	101.6	2.0	Rd124.3x1/4
Φ102大	173	164	101.6	2.0	Rd131.3x1/6

注意：以上数据图相关尺寸不作为实物最终依据，东正保留对于数据更新权限不再另行通知。
Note: The relevant dimensions of the above data diagrams are not regarded as the final basis of the actual object. Dongzheng reserves the right to update the data without further notice.

2009款中头卡箍式止回阀 (ZH-ZK09系列) -数据图

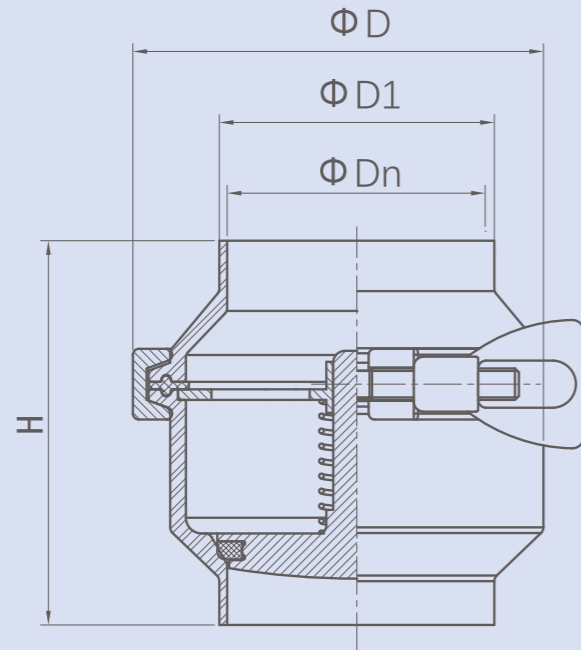


DIN					INCH				
规格	H	D1	D2	D	规格	H	D1	D2	D
DN10	95.5	12	34	72	1/2"	95.5	12.7	25.4	72
DN15	95.5	18	34	72	3/4"	95.5	19	25.4	72
DN20	95.5	22	34	72	1"	95.5	25.4	50.5	72
DN25	95.5	28	50.5	72	1 1/4"	97.5	31.8	50.5	87
DN32	97.5	34	50.5	87	1 1/2"	97.5	38.1	50.5	87
DN40	97.5	40	50.5	87	2"	113.5	50.8	64	100
DN50	113.5	52	64	100	2 1/2"	119.5	63.5	77.5	115
DN65	119.5	70	91	115	3"	127.5	76.2	91	128
DN80	127.5	85	106	128	3 1/2"	127.5	89	106	128
DN100	152.6	104	119	164	4"	152.6	101.6	119	164

注意：以上数据图相关尺寸不作为实物最终依据，东正保留对于数据更新权限不再另行通知。
Note: The relevant dimensions of the above data diagrams are not regarded as the final basis of the actual object. Dongzheng reserves the right to update the data without further notice.

止回阀 Check valve

2009款中头卡箍式止回阀 (ZH-ZK09) 系列-数据图

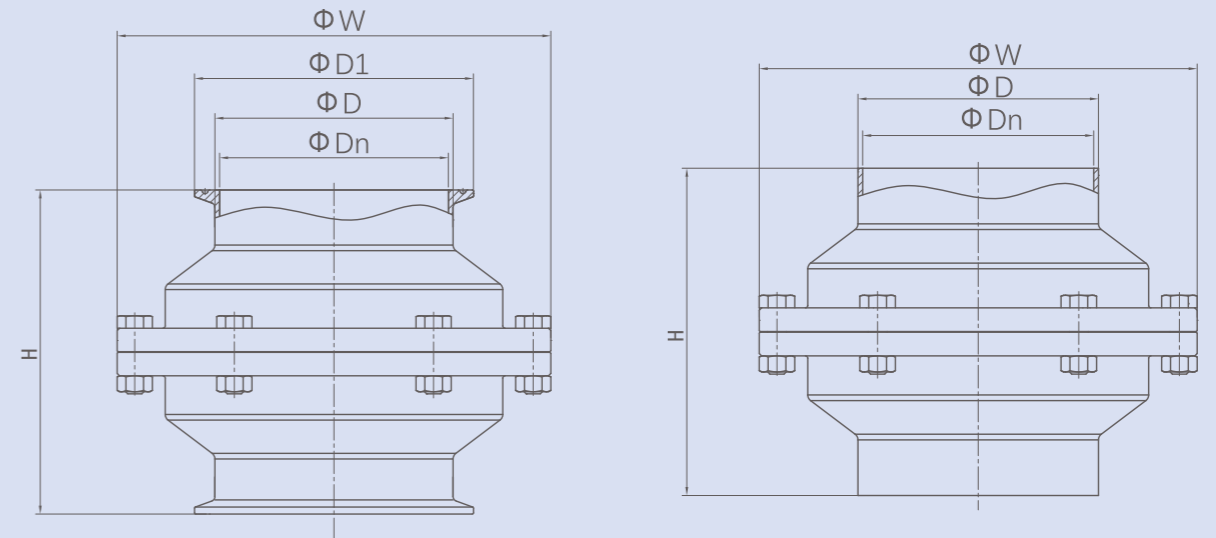


焊接式
NO.VZH100A1

DIN					INCH				
规格	H	D1	D	Dn	规格	H	D1	D2	D
DN10	70	12	72	9	1/2"	70	12.7	72	9.7
DN15	70	18	72	15	3/4"	70	19	72	16
DN20	70	22	72	19	1"	70	25.4	72	22.4
DN25	70	28	72	25	1 1/4"	70	31.8	87	28.8
DN32	72	34	87	31	1 1/2"	72	38.1	87	35.1
DN40	72	40	87	37	2"	72	50.8	100	47.8
DN50	88	52	100	49	2 1/2"	88	63.5	115	59.5
DN65	94	70	115	66	3"	94	76.2	128	72.2
DN80	102	85	128	81	3 1/2"	102	89	128	85
DN100	121	104	164	101	4"	121	101.6	164	97.6

注意：以上数据图相关尺寸不作为实物最终依据，东正保留对于数据更新权限不再另行通知。
Note: The relevant dimensions of the above data diagrams are not regarded as the final basis of the actual object. Dongzheng reserves the right to update the data without further notice.

2016款中头法兰止回阀 (ZHF-ZF系列) -数据图 (1 "-4")



卡箍式
NO.VZH310A1-2016

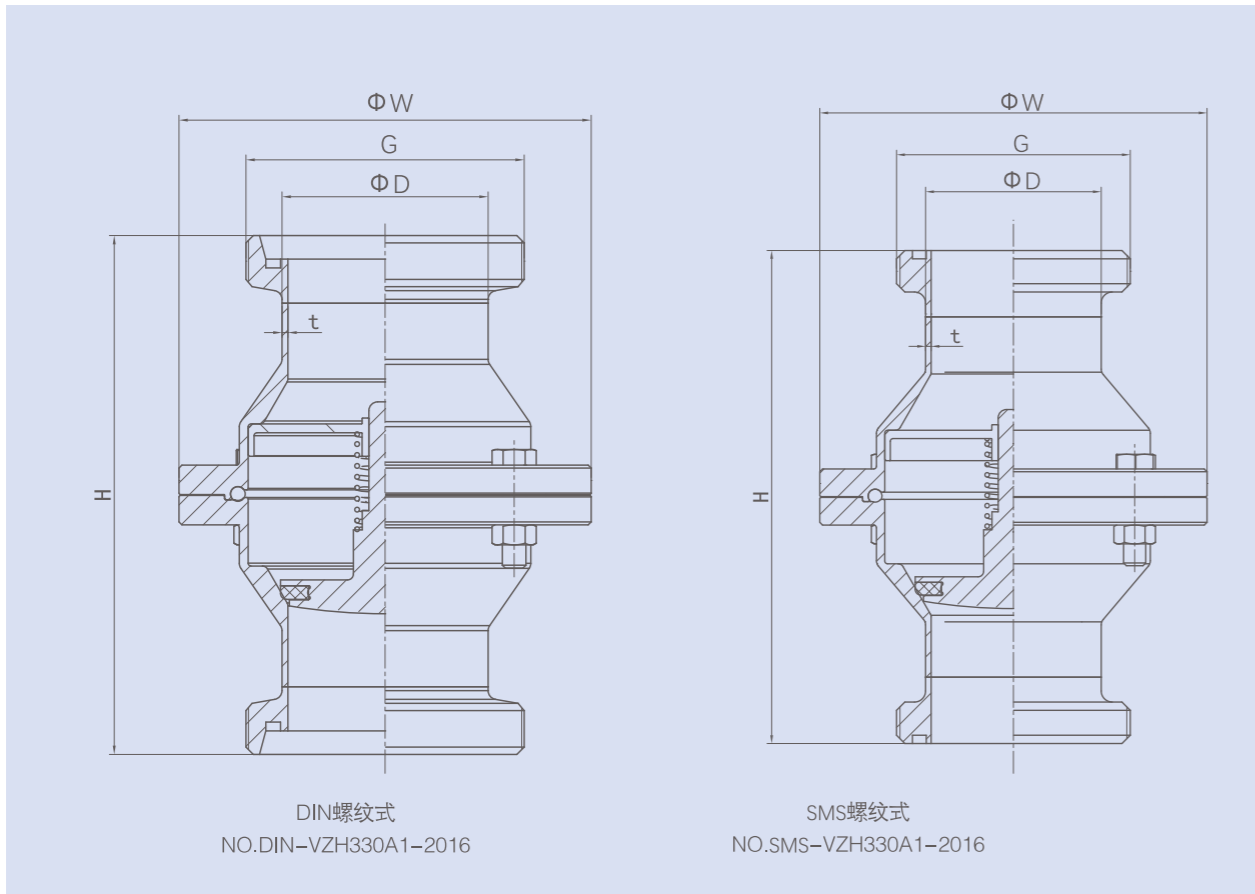
焊接式
NO.VZH300A1-2016

INCH (卡箍式)						DIN (卡箍式)					
规格	D	Dn	D1	W	H	规格	D	Dn	D1	W	H
1"	25.4	22.1	50.5	84	63.3	DN25	28	25	50.5	84	63.3
1.25"	31.8	28.5	50.5	84	63.3	DN32	34	31	50.5	84	63.3
1.5"	38.1	34.8	50.5	96	90.3	DN40	40	37	50.5	96	90.3
2"	50.8	47.5	64	112	110.3	DN50	52	49	64	112	110.3
2.5"	63.5	59.5	77.5	140	130.3	DN65	70	66	91	140	130.3
3"	76.2	72.2	91	152	128.3	DN80	85	81	106	170	128.3
3.5"	89	85	106	170	128.3	DN100	104	100	119	185	138.3
4"	101.6	97.6	119	185	138.3						

INCH (焊接式)					DIN (焊接式)				
规格	D	Dn	W	H	规格	D	Dn	W	H
1"	25.4	22.1	84	63.3	DN25	28	25	84	63.3
1.25"	31.8	28.5	84	63.3	DN32	34	31	84	63.3
1.5"	38.1	34.8	96	90.3	DN40	40	37	96	90.3
2"	50.8	47.5	112	110.3	DN50	52	49	112	110.3
2.5"	63.5	59.5	140	130.3	DN65	70	66	140	130.3
3"	76.2	72.2	152	128.3	DN80	85	81	170	128.3
3.5"	89	85	170	128.3	DN100	104	100	185	138.3
4"	101.6	97.6	185	138.3					

止回阀 Check valve

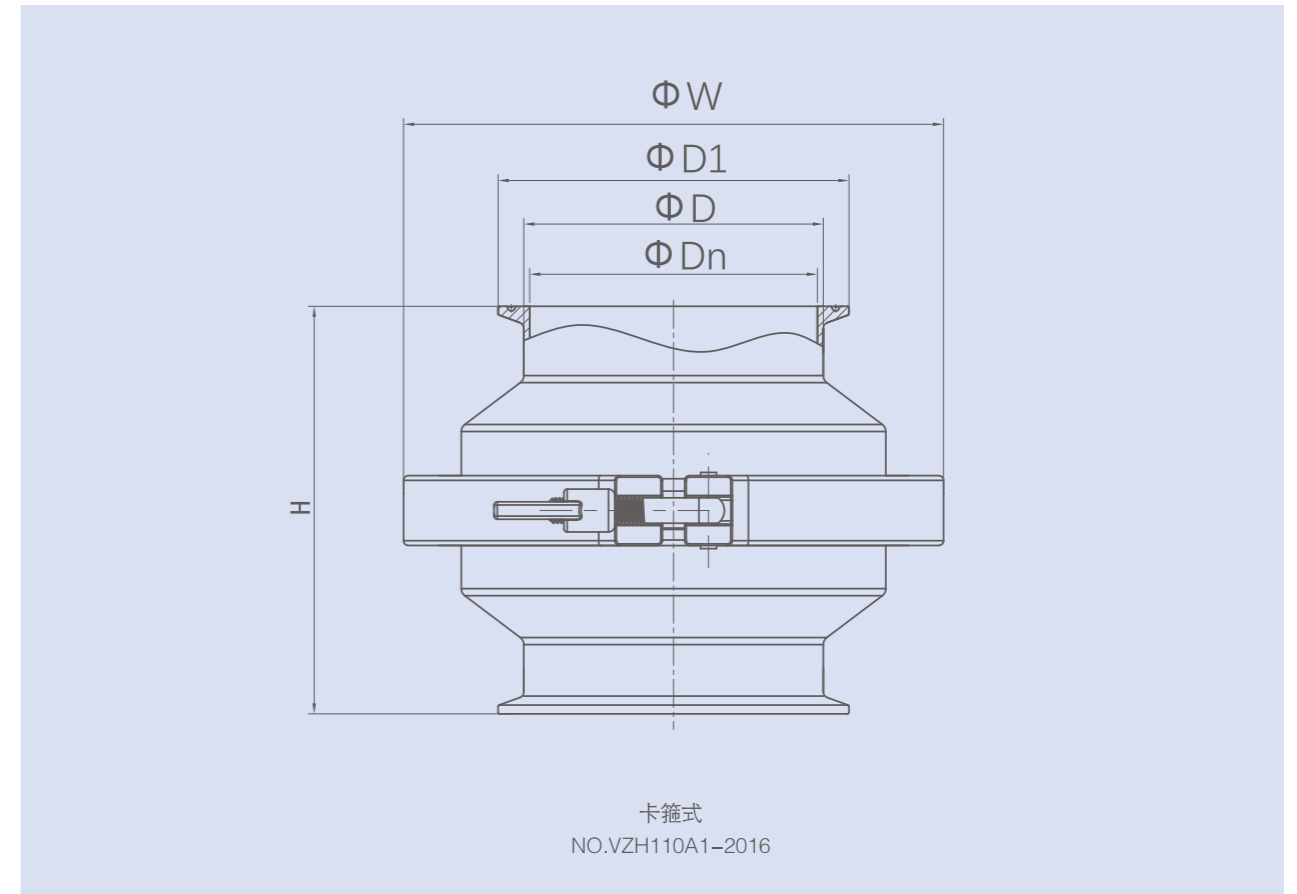
2016款中头法兰止回阀 (ZHF-ZF系列) -数据图 (1 "-4")



DIN (螺纹式)						SMS (螺纹式)					
规格	D	W	H	t	G	规格	D	W	H	t	G
DN25	28	84	103.3	1.5	Rd51.5X1/6	1"	25.4	84	101.3	1.5	Rd39.5X1/6
DN32	34	84	103.3	1.5	Rd57.5X1/6	1.25"	31.8	84	99.3	1.5	Rd47.5X1/6
DN40	40	96	130.3	1.5	Rd64.5X1/6	1.5"	38.1	96	130.3	1.5	Rd59.5X1/6
DN50	52	112	152.3	1.5	Rd77.5X1/6	2"	50.8	112	150.3	1.5	Rd69.5X1/6
DN65	70	140	176.3	2	Rd94.5X1/6	2.5"	63.5	140	178.3	2	Rd84.5X1/6
DN80	85	170	178.3	2	Rd109.3X1/4	3"	76.2	152	178.3	2	Rd97.3X1/6
DN100	104	185	194.3	2	Rd129.5X1/4	3.5"	89	170	180.3	2	Rd104.5X1/6
						102(小)	101.6	185	192.3	2	Rd124.3X1/4
						102(大)	101.6	185	192.3	2	Rd131.3X1/6

注意：以上数据图相关尺寸不作为实物最终依据，东正保留对于数据更新权限不再另行通知。
Note: The relevant dimensions of the above data diagrams are not regarded as the final basis of the actual object. Dongzheng reserves the right to update the data without further notice.

2016款中头卡箍式止回阀 (ZHF-ZF系列) -数据图 (0.5 "-4")

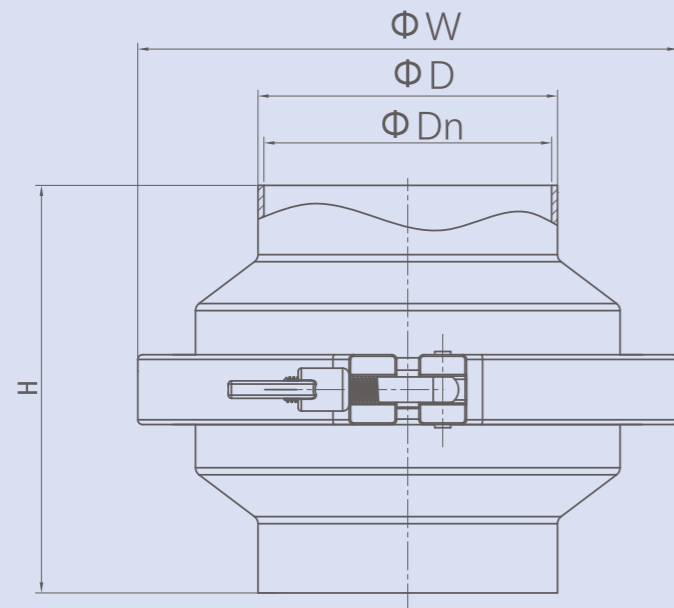


INCH (卡箍式)						DIN (卡箍式)					
规格	D	Dn	D1	W	H	规格	D	Dn	D1	W	H
0.5"	19	9.4	25	64	55.8	DN10	23	9	34	64	55.8
0.75"	19	15.7	25	64	55.8	DN15	19	15	34	64	55.8
1"	25.4	22.1	50.5	75	63.3	DN20	23	19	34	75	63.3
1.25"	31.8	28.5	50.5	75	63.3	DN25	28	25	50.5	75	63.3
1.5"	38.1	34.8	50.5	89	90.3	DN32	34	31	50.5	89	90.3
2"	50.8	47.5	64	102	110.3	DN40	40	37	50.5	102	110.3
2.5"	63.5	59.5	77.5	130	130.3	DN50	52	49	64	130	130.3
3"	76.2	72.2	91	141	130.3	DN65	70	66	91	141	130.3
3.5"	89	85	106	170	130.3	DN80	85	81	106	170	130.3
4"	101.6	97.6	119	183	138.3	DN100	104	100	119	183	138.3

注意：以上数据图相关尺寸不作为实物最终依据，东正保留对于数据更新权限不再另行通知。
Note: The relevant dimensions of the above data diagrams are not regarded as the final basis of the actual object. Dongzheng reserves the right to update the data without further notice.

止回阀 Check valve

2016款中头卡箍式止回阀 (ZHF-ZF系列) -数据图 (0.5 "-4")

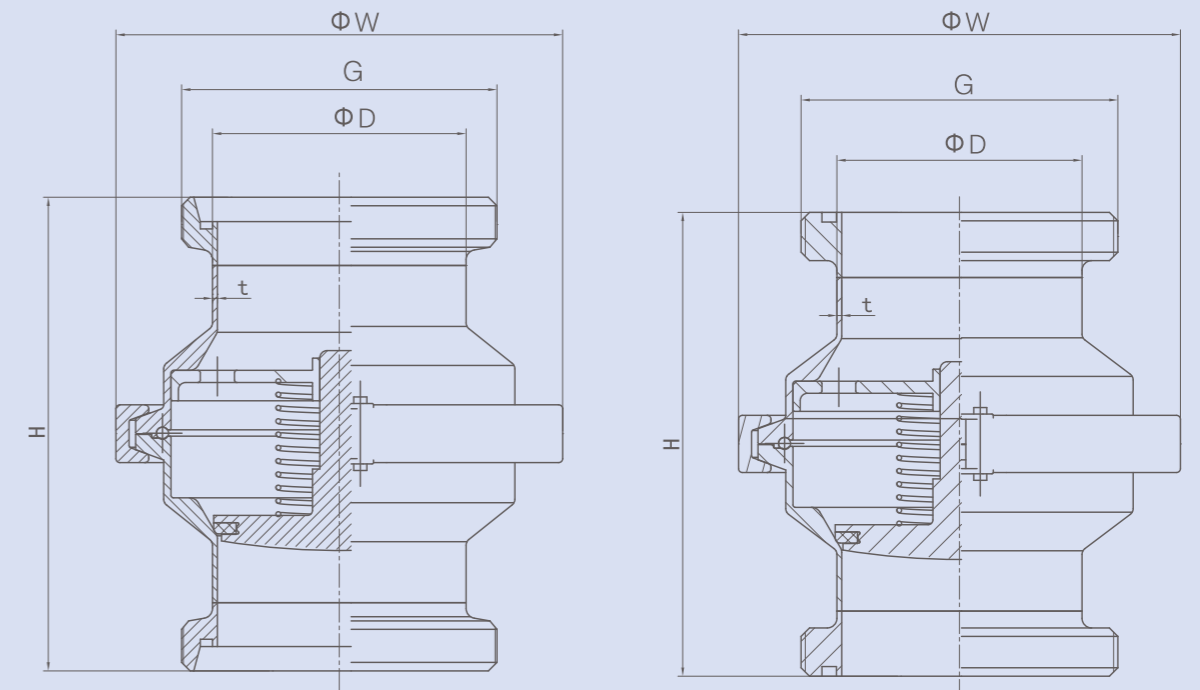


焊接式
NO.VZH100A1-2016

INCH (焊接式)					DIN (焊接式)				
规格	D	Dn	W	H	规格	D	Dn	W	H
0.5"	12.7	9.4	64	55.8	DN10	12	9	64	55.8
0.75"	19	15.7	64	55.8	DN15	18	15	64	55.8
1"	25.4	22.1	75	63.3	DN20	22	19	64	55.8
1.25"	31.8	28.5	75	63.3	DN25	28	25	75	63.3
1.5"	38.1	34.8	89	90.3	DN32	34	31	75	63.3
2"	50.8	47.5	102	110.3	DN40	40	37	89	90.3
2.5"	63.5	59.5	130	130.3	DN50	52	49	102	110.3
3"	76.2	72.2	141	130.3	DN65	70	66	130	130.3
3.5"	89	85	170	130.3	DN80	85	81	170	130.3
4"	101.6	97.6	183	138.3	DN100	104	100	183	138.3

注意：以上数据图相关尺寸不作为实物最终依据，东正保留对于数据更新权限不再另行通知。
Note: The relevant dimensions of the above data diagrams are not regarded as the final basis of the actual object. Dongzheng reserves the right to update the data without further notice.

2016款中头卡箍式止回阀 (ZHF-ZK系列) -数据图 (1 "-4")



DIN螺纹式
NO.DIN-VZH130A1-2016

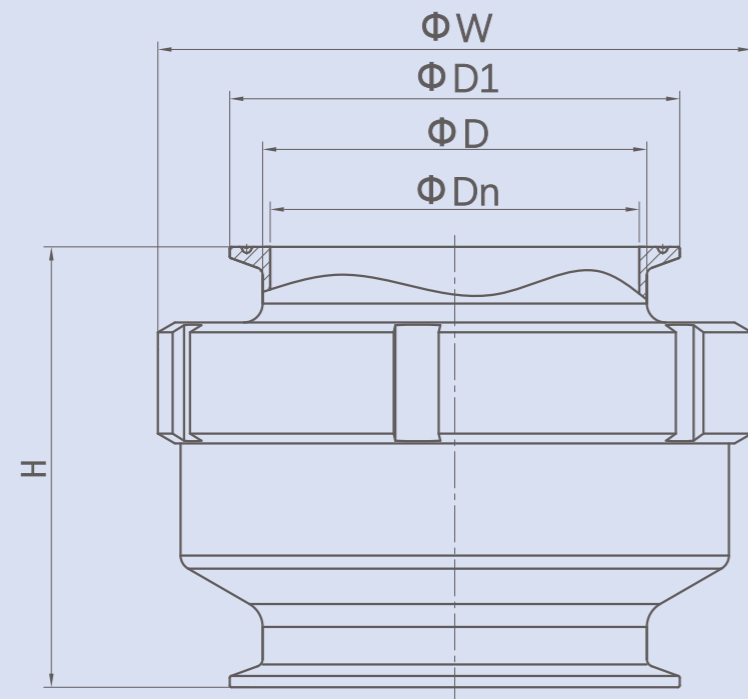
SMS螺纹式
NO.SMS-VZH100A1-2016

DIN (螺纹式)						SMS (螺纹式)					
规格	D	W	H	t	G	规格	D	W	H	t	G
DN15	18	64	89.8	1.5	Rd33.5X1/8	0.75"	19	64	93.8	1.5	Rd35.5X1/8
DN20	22	64	93.8	1.5	Rd43.5X1/6	1"	25.4	75	101.3	1.5	Rd39.5X1/6
DN25	28	75	103.3	1.5	Rd51.5X1/6	1.25"	31.8	75	99.3	1.5	Rd47.5X1/6
DN32	34	75	103.3	1.5	Rd57.5X1/6	1.5"	38.1	89	130.3	1.5	Rd59.5X1/6
DN40	40	89	130.3	1.5	Rd64.5X1/6	2"	50.8	102	150.3	1.5	Rd69.5X1/6
DN50	52	102	152.3	1.5	Rd77.5X1/6	2.5"	63.5	130	178.3	2	Rd84.5X1/6
DN65	70	130	176.3	2	Rd94.5X1/6	3"	76.2	141	180.3	2	Rd97.3X1/6
DN80	85	170	180.3	2	Rd109.3X1/4	3.5"	89	170	182.3	2	Rd104.5X1/6
DN100	104	183	194.3	2	Rd129.5X1/4	102(小)	101.6	183	192.3	2	Rd124.3X1/4
						102(大)	101.6	183	192.3	2	Rd131.3X1/6

注意：以上数据图相关尺寸不作为实物最终依据，东正保留对于数据更新权限不再另行通知。
Note: The relevant dimensions of the above data diagrams are not regarded as the final basis of the actual object. Dongzheng reserves the right to update the data without further notice.

止回阀 Check valve

2016款中头螺纹式止回阀 (ZHF-ZL系列)-数据图 (1“-4”)

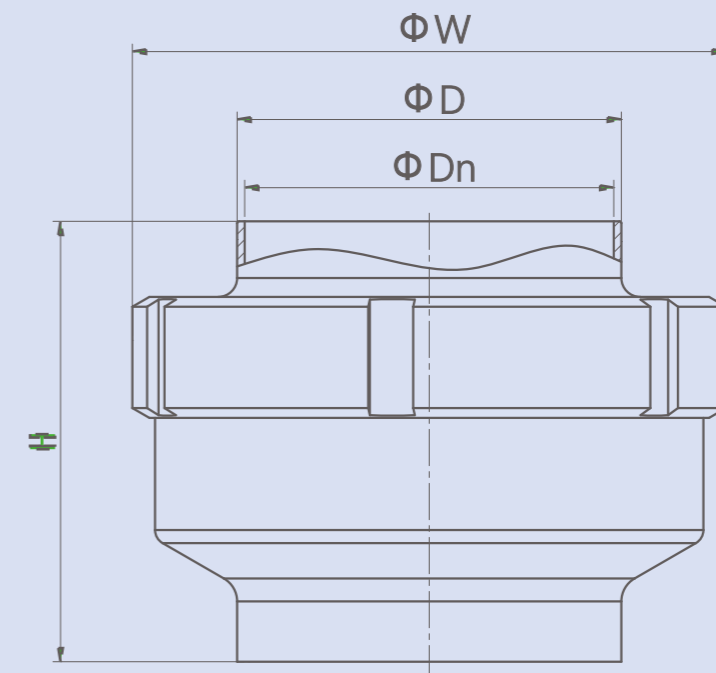


卡箍式
NO.VZH210A1-2016

INCH (卡箍式)						DIN (卡箍式)					
规格	D	Dn	D1	W	H	规格	D	Dn	D1	W	H
1"	25.4	22.1	50.5	60	72	DN25	28	25	50.5	60	72
1.25"	31.8	28.5	50.5	70	72	DN32	34	31	50.5	70	72
1.5"	38.1	34.8	50.5	72	84.5	DN40	40	37	50.5	72	84.5
2"	50.8	47.5	64	92	97	DN50	52	49	64	92	97
2.5"	63.5	59.5	77.5	111	117	DN65	70	66	91	111	117
3"	76.2	72.2	91	125	112.5	DN80	85	81	106	138	113.5
3.5"	89	85	106	138	113.5	DN100	104	100	119	157	116.5
4"	101.6	97.6	119	157	116.5						

注意：以上数据图相关尺寸不作为实物最终依据，东正保留对于数据更新权限不再另行通知。
Note: The relevant dimensions of the above data diagrams are not regarded as the final basis of the actual object. Dongzheng reserves the right to update the data without further notice.

2016款中头螺纹式止回阀 (ZHF-ZL系列)-数据图 (1“-4”)



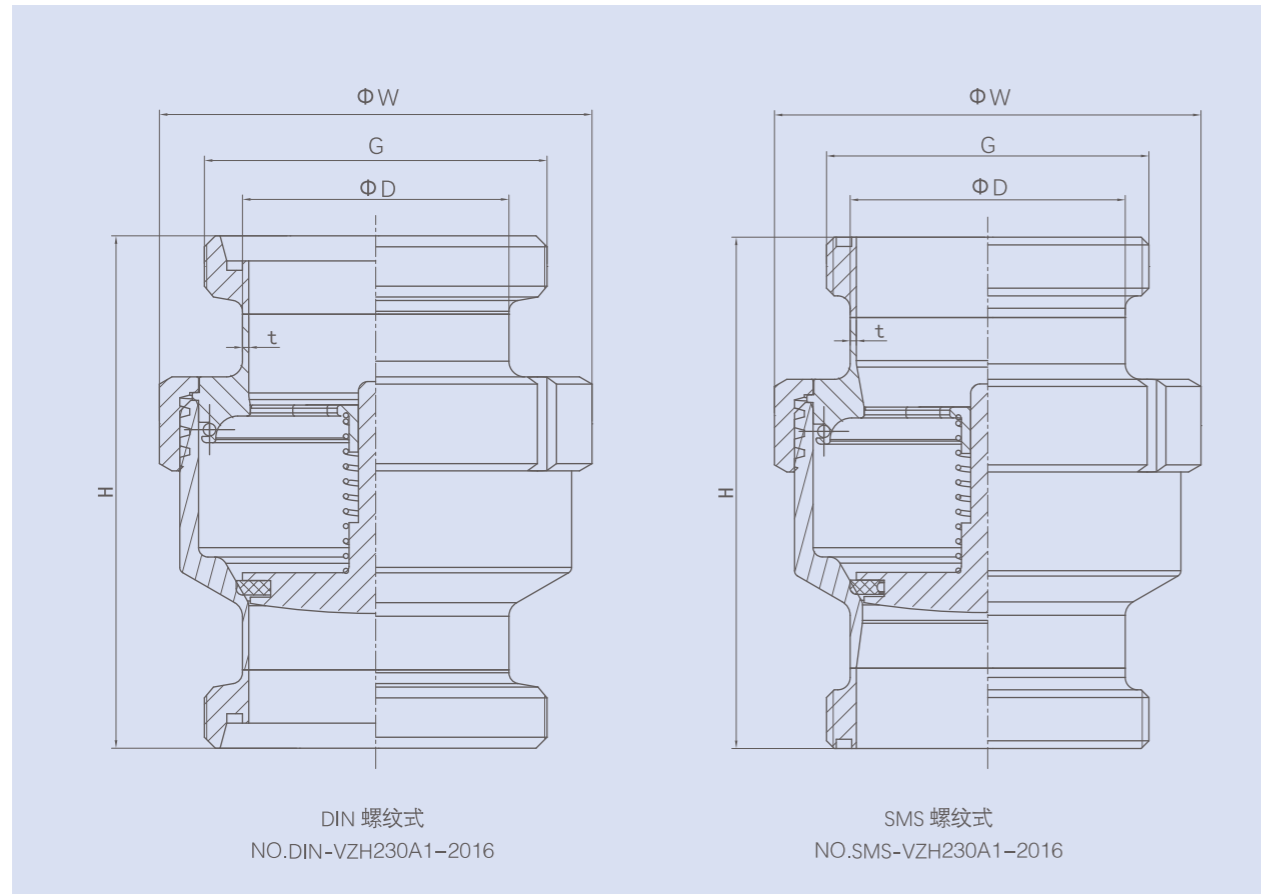
焊接式
NO.VZH200A1-2016

INCH (卡箍式)					DIN (卡箍式)				
规格	D	Dn	W	H	规格	D	Dn	W	H
1"	25.4	22.1	60	72	DN25	28	25	60	72
1.25"	31.8	28.5	70	72	DN32	34	31	70	72
1.5"	38.1	34.8	72	84.5	DN40	40	37	72	84.5
2"	50.8	47.5	92	97	DN50	52	49	92	97
2.5"	63.5	59.5	111	117	DN65	70	66	111	117
3"	76.2	72.2	125	112.5	DN80	85	81	138	113.5
3.5"	89	85	138	113.5	DN100	104	100	157	116.5
4"	101.6	97.6	157	116.5					

注意：以上数据图相关尺寸不作为实物最终依据，东正保留对于数据更新权限不再另行通知。
Note: The relevant dimensions of the above data diagrams are not regarded as the final basis of the actual object. Dongzheng reserves the right to update the data without further notice.

止回阀 Check valve

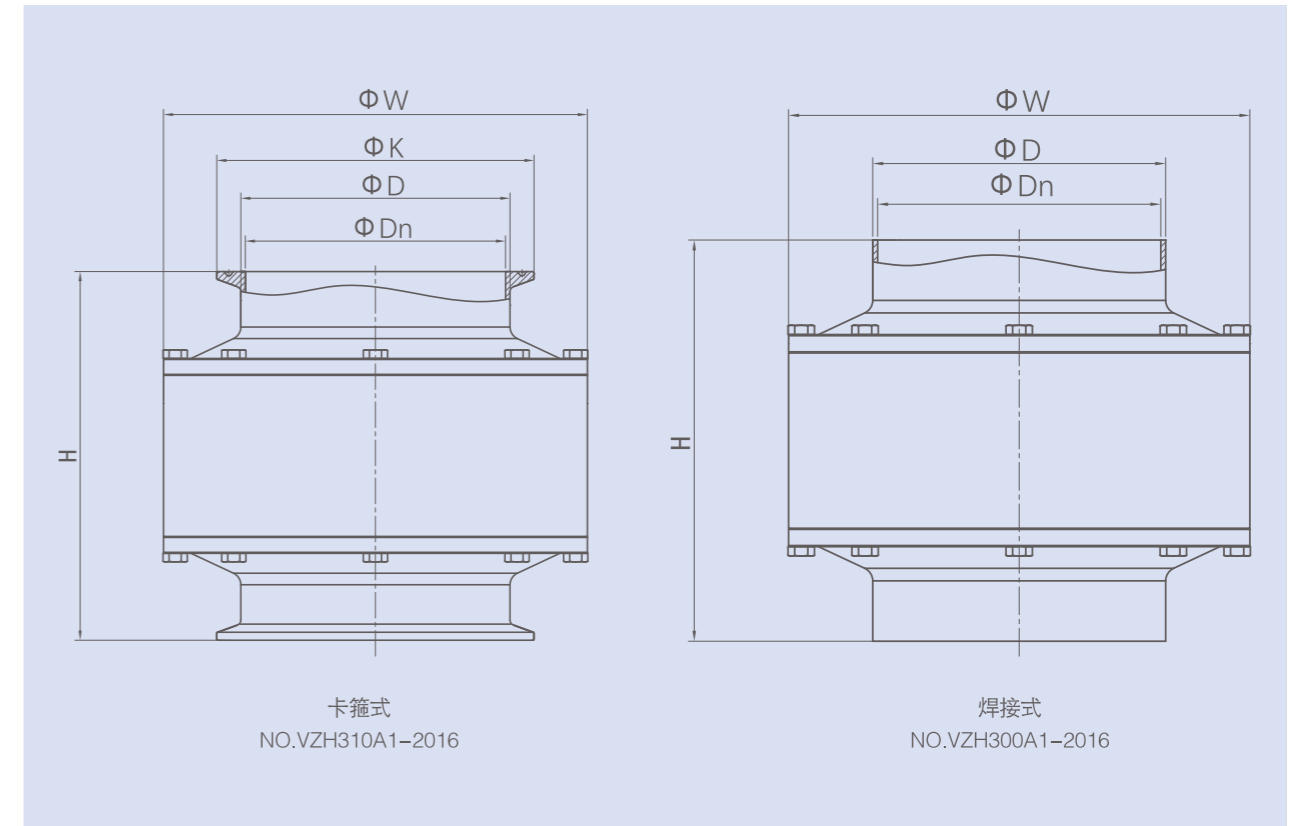
2016款中头螺纹式止回阀 (ZHF-ZL系列)-数据图 (1“-4”)



DIN (螺纹式)						SMS (螺纹式)					
规格	D	W	H	t	G	规格	D	W	H	t	G
DN25	28	60	112	1.5	Rd51.5X1/6	1"	25.4	60	110	1.5	Rd39.5X1/6
DN32	34	70	112	1.5	Rd57.5X1/6	1.25"	31.8	70	108	1.5	Rd47.5X1/6
DN40	40	72	124.5	1.5	Rd64.5X1/6	1.5"	38.1	72	124.5	1.5	Rd59.5X1/6
DN50	52	92	138	1.5	Rd77.5X1/6	2"	50.8	92	137	1.5	Rd69.5X1/6
DN65	70	111	163	2	Rd94.5X1/6	2.5"	63.5	111	165	2	Rd84.5X1/6
DN80	85	138	163.5	2	Rd109.3X1/4	3"	76.2	125	162.5	2	Rd97.3X1/6
DN100	104	157	172.5	2	Rd129.5X1/4	3.5"	89	138	165.5	2	Rd104.5X1/6
						102(小)	101.6	157	170.5	2	Rd124.3X1/4
						102(大)	101.6	157	170.5	2	Rd131.3X1/6

注意：以上数据图相关尺寸不作为实物最终依据，东正保留对于数据更新权限不再另行通知。
Note: The relevant dimensions of the above data diagrams are not regarded as the final basis of the actual object. Dongzheng reserves the right to update the data without further notice.

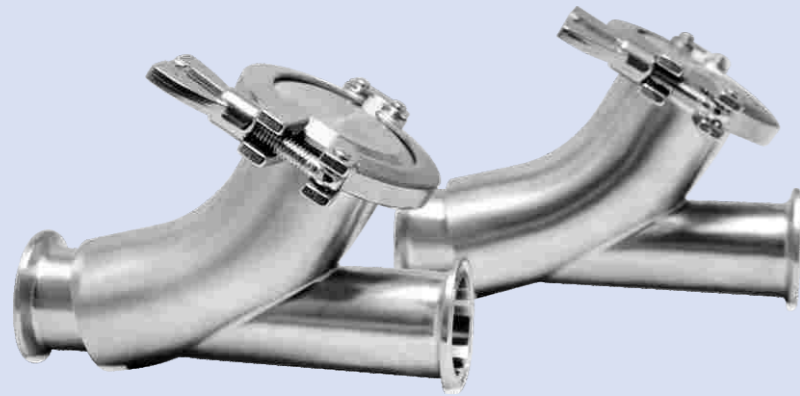
2016款三片式止回阀 (ZHF-SP系列)-数据图 (3“-10”)



INCH (卡箍式)						DIN (卡箍式)					
规格	D	Dn	K	W	H	规格	D	Dn	K	W	H
3"	76.2	72.2	91	136	150	DN80	85	81	106	152	150
3.5"	89	85	106	152	150	DN100	104	100	119	171	155
4"	101.6	97.6	119	171	155	DN125	129	125	145	200	174
5"	127	122.8	145	200	174	DN150	154	150	167	227	188
6"	152.4	146.8	167	227	188	DN200	204	200	217	296	210
8"	203.2	197.6	217	296	210	DN250	254	250	268	366	208
10"	254	247.2	268	366	208						

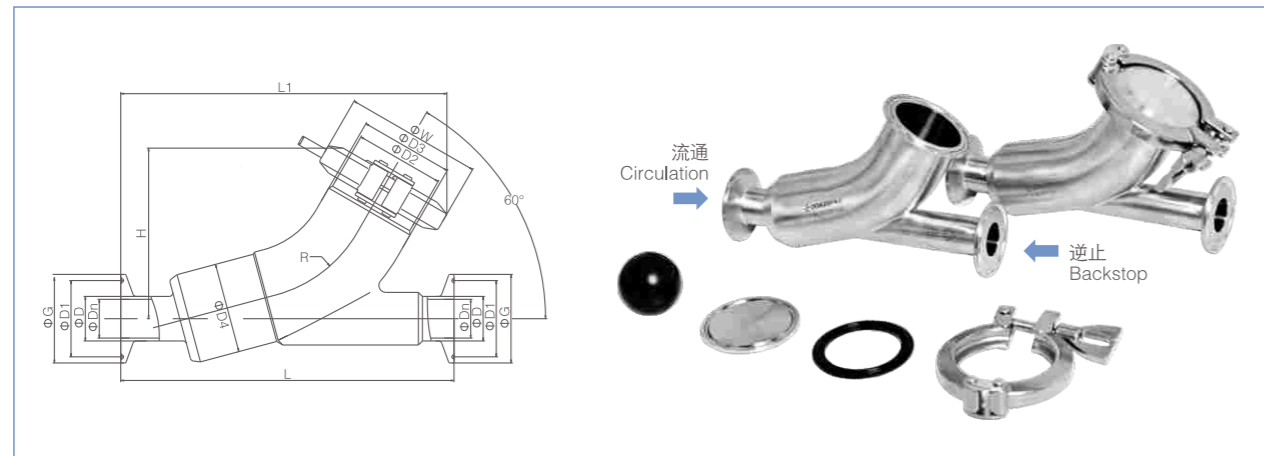
INCH (焊接式)					DIN (焊接式)				
规格	D	Dn	W	H	规格	D	Dn	W	H
3"	76.2	72.2	136	150	DN80	85	81	152	150
3.5"	89	85	152	150	DN100	104	100	171	155
4"	101.6	97.6	171	155	DN125	129	125	200	174
5"	127	122.8	200	174	DN150	154	150	227	188
6"	152.4	146.8	227	188	DN200	204	200	296	210
8"	203.2	197.6	296	210	DN250	254	250	366	208
10"	254	247.2	366	208					

止回阀 Check valve



Y型止回阀是一款全口径、无阻流、水平、垂直安装无滞留、无噪音止回阀。
规格：1"-4"，DN25-DN100
材质：SS104/316L
浮球：EPDM/SILICON/NBR/TPFE
压力：100bar
温度：-20°C到150°C

Y-type Check valve is a full diameter, open flow, horizontal and vertical installation of no retention, no noise check valve.
Specification: 1"-4", DN25-DN100
Material: SS104/316L
Float: EPDM/SILICON/NBR/TPFE
Pressure: 100bar
Temperature: -20°C to 150 °C



INCH

SIZE	D	Dn	D1	D2	D3	D4	W	G	L	L1	H	R
1"	25.4	22.1	43.5	50.8	53.5	51.5	78	50.5	200	185.9	97.3	76.2
1.5"	38.1	34.8	43.5	50.8	53.5	51.5	78	50.5	180	165.9	90.9	76.2
2"	50.8	47.5	56.5	76.2	80	76.2	103	64	250	235.1	132.2	114.3
2.5"	63.5	59.5	70.5	101.6	104	101.6	136	77.5	330	310	164.7	152.4
3"	76.2	72.2	83.5	101.6	104	101.6	136	91	310	285	158.4	152.4

截止阀货号编制规则

VZHF - ZK - 00A1 - DN50 - 6P



① 阀门类型代码

VZHF-ZK: 中头卡箍式止回阀
VZHF-ZL: 中头螺纹式止回阀
VZHF-ZF: 中头法兰式止回阀

VZHF-SP: 三片式止回阀
VZHF-ZK09: 中头卡箍式止回阀-09款
VZHF-Y: Y型止回阀

② 阀门进出口连接方式(第1位表示进口, 第2位表示出口)

0-焊接式; 1-卡箍式; 3-外螺纹式; 5-由任螺母式
示例: 00表示进出口为焊接式; 01表示进口焊接, 出口卡箍式

③ 表示阀门执行类型

A1: 自动

④ 表示阀门规格

INCH系列 (不分标准)	DIN系列	ISO系列	3A系列	SMS系列	RJT系列
OD 1/2"	DN15	ISO 1/2"	3A 1/2"	SMS25	RJT1 1/2"
OD 3/4"	DN20	ISO 3/4"	3A 3/4"	SMS32	RJT3 1/4"
OD 1"	DN25	ISO 1"	3A 1"	SMS38	RJT1"
OD 1 1/4"	DN32	ISO 1 1/4"		SMS51	RJT1 1/4"
OD 1 1/2"	DN40	ISO 1 1/2"	3A 1 1/2"	SMS63	RJT1 1/2"
OD 2"	DN50	ISO 2"	3A 2"	SMS76	RJT2"
OD 2 1/2"	DN65	ISO 2 1/2"	3A 2 1/2"	SMS89	RJT2 1/2"
OD 3"	DN80	ISO 3"	3A 3"	SMS102	RJT3"
OD 3 1/2"	DN100	ISO 3 1/2"			RJT3 1/2"
OD 4"	DN125	ISO 4"	3A 4"		RJT4"

⑤ 表示阀体材质 (与介质接触部分)

6-AISI 316L; 4-AISI 304

⑥ 表示密封材质 (与介质接触部分)

E-EPDM(默认); F-FPM; P-PTFE(仅适用于2016款)